



# Gunnebo SlimStile EV ATT

## Tripod Turnstile for Internal Installation\*

Tripod Turnstiles are compact and cost-effective entrance solutions designed for smooth and silent operation, less wear and tear and reduced power consumption, suitable for areas where there is a large flow of people.

SlimStile EV ATT (Alarmed Tripod Turnstile) offers the best security performance by means of a photocell and IR sensor alarming in case of unauthorised passage attempt. The system can be further enhanced by a sensitive lid and

extra photocells with the ITC functionality (Improper Transit Control). The ATT-ITC version avoids passage simulation and improves the overall performance for the detection of unauthorised passage detecting if someone tries to jump over or crawl under the tripod's arms as well as if someone tries to climb over the cabinet. As option is also available a single person detection feature SPD.

\* External installation allowed under canopy.

**GUNNEBO**<sup>®</sup>

On receiving a signal from the access control system, or push button, this allows the passage of one person at a time. The status is shown on the LED way mode indicators, in entry and exit side. Passage in both directions is electronically controlled. The SlimStile EV ATT is available in Normally Closed (N/C) configuration to lock the mechanism until a valid authorisation signal is received, or in Normally Open (N/O) configuration to lock the mechanism in the event of attempted unauthorised entry. The N/O configuration also allows reduced power consumption and increases the life of the mechanism and passage throughput speed.

In case of emergency, the hub freely rotates for an easier exit. The drop arm option can be chosen which automatically drops the horizontal arm to allow free passage. LED way mode indicators are included as standard.

## Technical Specifications

### Drive

Hand-operated

### Materials

**Casework:** 304 grade grained stainless steel

**Casework lid:** 304 grade grained stainless steel

**Tripod hub:** Cast aluminium with painted grey finish

**Tripod arms:** 38mm diameter 480mm 304 polished stainless steel

### Mechanism

#### Electro-mechanical head mechanism:

- Positive locking action for one passage at a time
- Self-centering mechanism to ensure complete rotation into the home position
- Hydraulic damper to ensure smooth operation
- Anti-backup device to prevent reverse rotation once the mechanism has moved 60° from home

#### Power Failure / Fire Alarm

- Either one or both directions can be fail-safe (standard), i.e. rotates freely, or fail lock, i.e. locks in the home position
- Fire alarm - emergency input. Input facility available for free voltage contact to effect fail-state
- Mechanism fail state will be the same as power failure choice
- Drop arm option: the horizontal arm drops to create passage for evacuation

### Interface

#### LL2001 Lite microprocessor control logic:

- One input for opening/locking in each direction
- Two protected outputs controlling opening/locking
- Four protected outputs piloting way mode indicators
- Two protected outputs counting passage in either direction
- Two OV output relays indicating availability of use or counting passage in either direction
- Two open collector NPN outputs to count passage or to indicate availability of use in either direction or activate the optional drop arm feature
- Four inputs for ATT & ITC features
- Serial Port - RS485

### Models

- ATT
- ATT - ITC

## Technical Data

Dimensions	See details on next page
Power Supply	230Vac 50 Hz or 115Vac 60 Hz
Power Rating	50VA (stand by 5VA if Normally Open)
Operating Temperature	-5 to +50 °C (RH 95% not condensing)
IP rating / MCBF / MTTR	IP 32 / 10M cycles (12M if Normally Open) / less than 30 min
Flow Rates (approximate figures):	Insertion Type Reader: 20 passages per minute Swipe Type Reader: 30 passages per minute Proximity Reader: "Hands Free": 40 passages per minute

## Options

Card reader mounting

Remote control MP2000

Push button control

Pictograms

LCD counter

Drop arm

Single person detection feature SPD

## Benefits

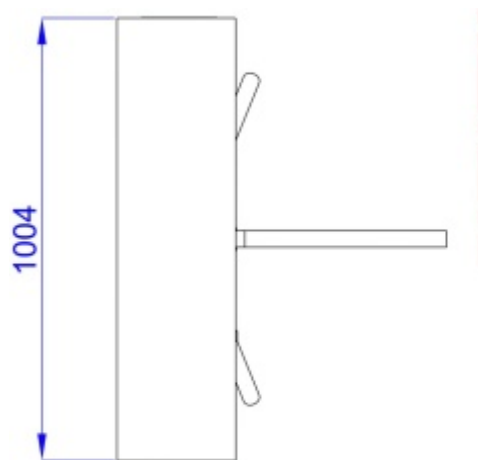
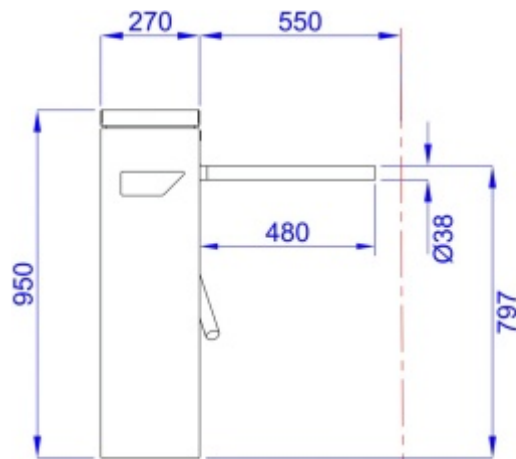
- Photocell and IR Sensor Alarming
- Silent operation and reduced power consumption

## Applications

Government	Telecommunications	Publishing
Retail	IT	Leisure
Finance	Banking	Petrochemical
Telecommunications	Education	

## Site Preparation

- Product is delivered fully assembled and may require lifting equipment.
- Approx. weight: 50Kg.
- For installation details, please refer to the installation manual.



**Important:** Any horizontal pipe or conduit running below the Tripod Turnstile must be at least 140mm below FFL. Metal conduit for cables should be raised at least 50mm from foundation. It is the customer's responsibility to ensure the structural integrity and strength of the installation location. The dimensions given in this Product Data Sheet are for information only. In order to prepare the installation site, please refer to your usual Gunnebo Customer Service contact.

**Conditions of use:** When using Gunnebo's security access control gates, for security and safety reasons, children must be supervised by an adult at all times.

# Gunnebo SlimStile EV ATT

Design and production: Gunnebo. Photos Credits: Gunnebo. The data given in this material may be subject to change without further notice. The Gunnebo logos and "Gunnebo - For a safer world" are registered trademarks of Gunnebo AB.



Take advantage of our knowledge:  
[www.gunnebo.com/Entrance-Control](http://www.gunnebo.com/Entrance-Control)

**GUNNEBO**®