

Gunnebo SpeedStile FP

DS Series

Full Panel Speed Gate for Internal Installation

GUNNEBO[®]

Full Panel Speed Gate for Internal Installation

Motorised full glass sliding leaves 1.2 or 1.8m height

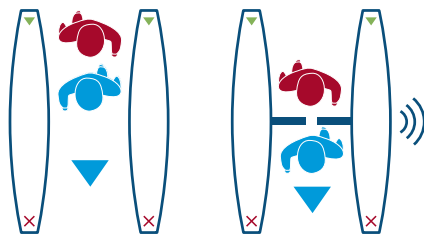
Architects and Interior Designers have always been at the forefront in introducing new materials. Gunnebo embraces this philosophy in the SpeedStile DS series with exciting new materials, selection of finishes and lighting effects. Finishes and ergonomic shapes that capture the designer's imagination. A new stylish and flexible design able to virtually blend infinite aesthetics within architectural interior needs, still including security features and performances from Gunnebo experience.

Applications include Government, Finance, Banking, Retail, Telecommunications, Information Technology, Publishing, Leisure, Education...

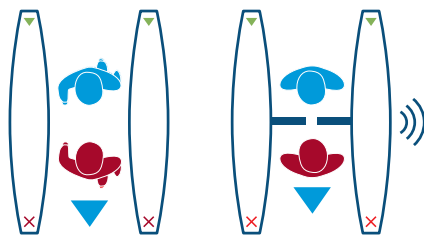
Security Features

Fraud Detection through sophisticated and proven algorithm

Intrusion
Tailgating
Piggybacking
Wrong way direction
Leave aisle timeout



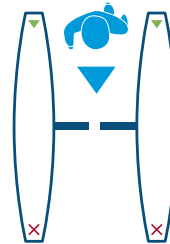
Tailgating and piggybacking detection



Wrong way and intrusion detection

Mode of Operation

Flap Leaves



Normally Closed

Passage in one or both directions is electronically controlled. On receiving a signal from the access control system, or remote control, the wings open (Normally Closed NC). If an unauthorised person tries to tailgate or attempts to enter from the opposite direction, the in-built alarm system is activated. If within the pre-set timeout no passage has occurred the lane will close and reset.

Illuminated symbols

Steady light=Normal use. Flashing light=Alarm conditions.



Green Arrow

Steady: Authorised use or designated free passage. Proceed through the unit.

Flashing: Emergency/Fire exit.

Red Cross

Steady: Unit in use or no passage. Passage not authorised.

Flashing: Alarm, fraudulent condition or technical alarm.

LED way-mode indicators flush mounted within the end leg, with illuminated symbols. LED red-green indicators horizontal and vertical into the walkway. LED strips illuminating the plinth (option).



Safety Features

Safety force sensing
Safety rubber edges
Accurate presence sensing
Emitter/receiver infrared sensors technology
Logic voltage 24 Vac
Voltage free contact input for Fire Alarm fail state
Fail-Safe mechanical opening (option)
Fail-Safe via battery back-up opening (option)
Wide walkway for wheel chair or easier access
Accompanied wheelchair or child passage management

For security and safety reasons children must be supervised by an adult at all times in the vicinity of an active lane. Any child being escorted through the lane must always precede the accompanying adult during passage.

Design/Construction

DS series modern and stylish design, steel frame construction with robust technopolymer shells and inlay to allow a vast selection of finishes and customisation.

Short cabinet length (N/C): 1.2m panel height or 1.8m panel height

Standard passage way 550mm and Wide passage (900mm) available. Available also as Combi – centre cabinet with narrow (550mm) passage in one side and wide (900mm) passage on the other side.

In order to create a lane it is necessary to have one right and one left cabinet. To create more than one lane, use one or more centre or combi cabinets. Select cabinets according to the number of lanes and passage width desired.



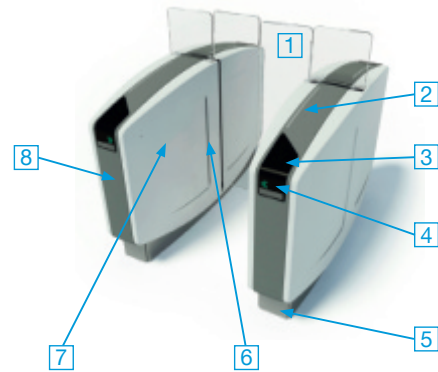
1. Left Cabinet 2. Right Cabinet 3. Centre Cabinet
 4. Left Wide Cabinet 5. Right Wide Cabinet 6. Centre Left Wide Cabinet
 7. Centre Right Wide Cabinet 8. Centre Wide Cabinet



Two lane configuration comprising of 1N°L, 1N°C and 1N°R cabinets (left), and N°1 LW, 1N°CLW and 1N°R cabinet (right).

Finishes

DS series includes applied chrome mirror finishing for the cabinet plinth and applied Grey Aluminium for the inlay, technopolymer sides pearl white gloss finish, wings 12mm toughened glass with rubber safety edge.



1. Wings height: 1.2 or 1.8m 2. LED passage lights 3. Card reader integration
 4. LED way mode indicator 5. Mirror polished plinth 6. LED vertical status lights
 7. Side panels 8. Top and End Leg inlay

Optional finishes for side panels



Applied finishes for Lid and End Legs inlay

White or Black Carbon fibre effect, Dark Mahogany effect or Light Maple effect.

Options & Accessories

DS series finishes and materials	Battery back-up
LED lighting effects	Digital LCD counter
Card reader integration	Remote control systems

Access Specifications

Flow rates by type of reader¹

Insertion type	Swipe type	Proximity type
20 Passages per minute	30 Passages per minute	40 Passages per minute

1. Approximate figures.

Accessibility for Standard (550mm) vs. Wide (900mm) models

Plain dot indicates the functionality is implemented, empty dot indicates some limitations, no dot indicates not available. Emergency egress functionality implemented as standard.

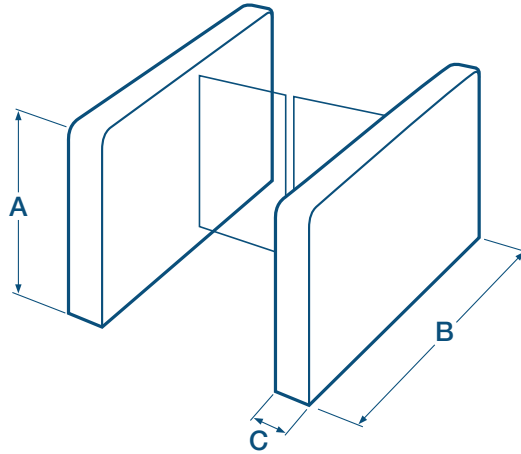
550mm	•	•	•	•	•	○	○			○
900mm	•	•	•	•	•	○	○	•	•	•

Disabled Access: 900mm net passage way and algorithm able to manage wheelchair access.

Electrical Data & Conditions of Use

Power Supply	Power Rating	Power Rating	Battery Back-up	Fire Signal	Operating Temperature	IP Rating	Noise Level
230Vac 50Hz ¹	2VA Stand by	345VA In operation	For 1 last operating cycle ²	Input for voltage free contact	+5°C to + 40°C RH 95% No condensing	IP20	Less than 55dB ³

1. 115Vac 60Hz also available on demand. 2. Option 3. Note: Average background noise in office environment is 50-55dB



Dimensions & Weights

	Overall Height	Passage Width	A Cabinet Height	B Cabinet Length	C Cabinet Width	Weight (kg) Side Cabinet	Weight (kg) Centre Cabinet
Standard short lane	1200/1800	550	950	1448	300	170	220
Wide short lane	1200/1800	900	950	1448	490	185	240

Dimensions in (mm). Weight net (kg). Might require lifting equipment. For details refer to installation detail drawings

Installation & Maintenance

Product Delivery	Application	Site Preparation ¹	Cabling & Conduits ²	Control Board Location	Systems Integration ⁵	Systems Integration ⁵	Maintenance Access	MTTR ³	MCBF ⁴
Fully assembled	Indoor	Flat & level finished floor +/- 5mm	Through the ground	In master SpeedStile cabinet	27 digital interface I/O RS232 RS485	Settings programmable via parameters	Through lateral panels	Less than 30 minutes	4 million

1. Bolting depth MIN 70mm, concrete MIN fckcube30N/mm² resistance, MIN 1500 mm x 500 (750 for wide and combi) x 150 mm deep. 2. Running MIN 140mm below finished floor level, should rise MIN 50mm from foundation. 3. Mean time to repair. 4. Mean cycle between failure. 5. Potential free contact for card reader input. New Electronic Platform with in-built RS485 and COMR1 switching interface.

It is the customer's responsibility to ensure the structural integrity and strength of the installation location.

Data provided is for information only, please refer to your usual Gunnebo Customer Service contact in order to prepare the installation site.



Want to see SpeedStile FP DS in full action?
Scan this QR code with your smartphone.
Or search for "SpeedStile FP DS" on YouTube.

Gunnebo SpeedStile FP



Take advantage of our knowledge:
www.gunnebo.com/Entrance-Control

