

# Gunnebo TriStile RO

## Tripod Turnstile for Internal Installation\*

Tripod Turnstiles are entrance solutions designed for smooth and silent operation, less wear and tear and reduced power consumption, suitable for areas where there is a large flow of people.

TriStile RO has an elegant casework with rounded ends, ideal for sites where aesthetics and customisation is important. A selection of lids are available alongside the full stainless steel offering.

On receiving a signal from the access control system, or push button, this allows the passage of one person at a time. The status is shown on the LED way mode indicators, in entry and exit side.

Passage in both directions is electronically controlled. The TriStile RO is available in Normally Closed (N/C) configuration to lock the mechanism until a valid authorisation signal is received, or in Normally Open (N/O) configuration to lock the mechanism in the event of attempted unauthorised entry. The N/O configuration also allows reduced power consumption and increases the life of the mechanism and passage throughput speed. In case of emergency, the hub freely rotates for an easier exit. The drop arm option can be chosen which automatically drops the horizontal arm to allow free passage. LED way mode indicators are included as standard.

\* External installation is allowed with stainless steel top lid under canopy.

## Technical Specifications

### Drive

Hand-operated

### Materials

**Casework:** 304 grade grained stainless steel

**Casework lid:** 304 grade grained stainless steel

**Tripod hub:** Cast aluminium with painted grey finish

**Tripod arms:** 38mm diameter 480mm 304 polished stainless steel

### Mechanism

#### Electro-mechanical head mechanism:

- Positive locking action for one passage at a time
- Self-centering mechanism to ensure complete rotation into the home position
- Hydraulic damper to ensure smooth operation
- Anti-backup device to prevent reverse rotation once the mechanism has moved 60° from home

### Power Failure / Fire Alarm

- Either one or both directions can be fail-safe (standard), i.e. rotates freely, or fail lock, i.e. locks in the home position
- Fire alarm - emergency input. Input facility available for free voltage contact to effect fail-state
- Mechanism fail state will be the same as power failure choice
- Drop arm option: the horizontal arm drops to create passage for evacuation

### Interface

#### LL2001 Lite microprocessor control logic:

- One input for opening/locking in each direction
- Two protected outputs controlling opening/locking
- Four protected outputs piloting way mode indicators
- Two protected outputs counting passage in either direction
- Two OV output relays indicating availability of use or counting passage in either direction
- Two open collector NPN outputs to count passage or to indicate availability of use in either direction or to activate the optional drop arm feature
- Serial Port - RS485

## Technical Data

Dimensions	See details on next page
Power Supply	230Vac 50 Hz or 115Vac 60 Hz
Power Rating	50VA (stand by 5VA if Normally Open)
Operating Temperature	-5 to +50 °C (RH 95% not condensing)
IP rating / MCBF / MTTR	IP 32 / 10M cycles (12M if Normally Open) / less than 30 min
Flow Rates (approx figures)	Insertion Type Reader: 20 passages per minute. Swipe Type Reader: 30 passages per minute. Proximity Reader "Hands Free": 40 passages per minute.

## Options

Card reader mounting

Remote control MP2000

Push button control

Pictograms

LCD counter

Drop arm

Apron infill (glass or steel)

## Benefits

- Attractive oval-shaped design
- Silent operation and reduced power consumption
- LED indicators clearly signal direction of passage

## Applications

Government

Retail

Finance

Telecommunications

IT

Banking

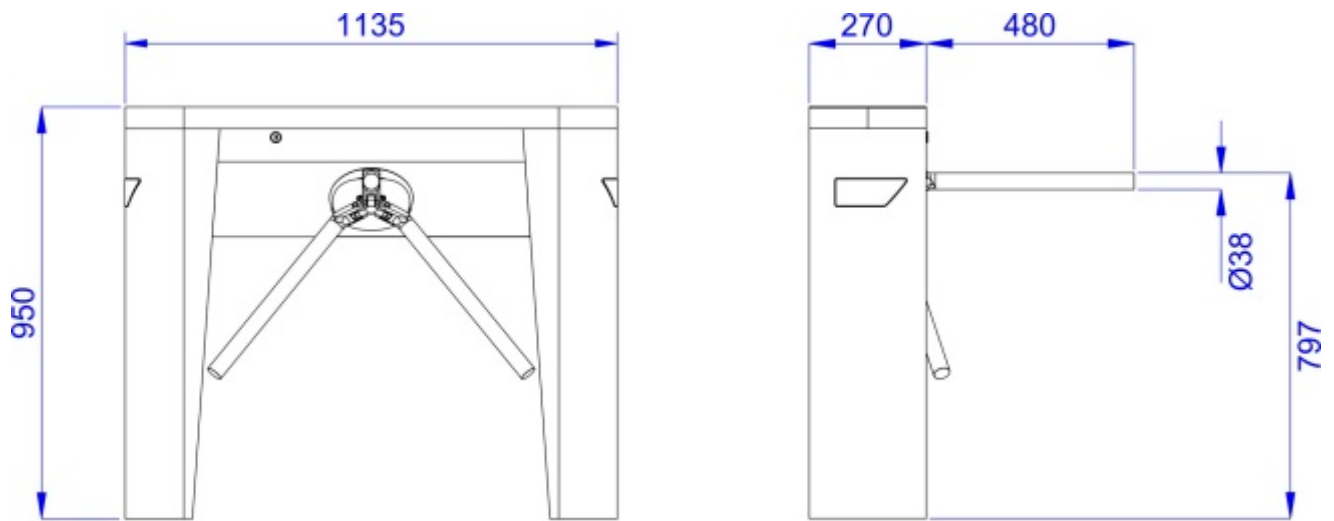
Publishing

Leisure

Petrochemical

Education...

## Site Preparation



Product delivered fully assembled, may require lifting equipment.  
Weight: approx. 50 kg.  
Details on assembly can be found in the instructions.

**Important:** Any horizontal pipe or conduit running below the Tripod Turnstile must be at least 140mm below FFL. Metal conduit for cables should be raised at least 50mm from foundation. It is the customer's responsibility to ensure the structural integrity and strength of the installation location. The dimensions given in this Product Data Sheet are for information only. In order to prepare the installation site, please refer to your usual Gunnebo Customer Service contact.

**Conditions of use:** When using Gunnebo's security access control gates, for security and safety reasons, children must be supervised by an adult at all times.

# Gunnebo TriStile RO



Take advantage of our knowledge:  
[www.gunnebo.com/Entrance-Control](http://www.gunnebo.com/Entrance-Control)

**GUNNEBO**®